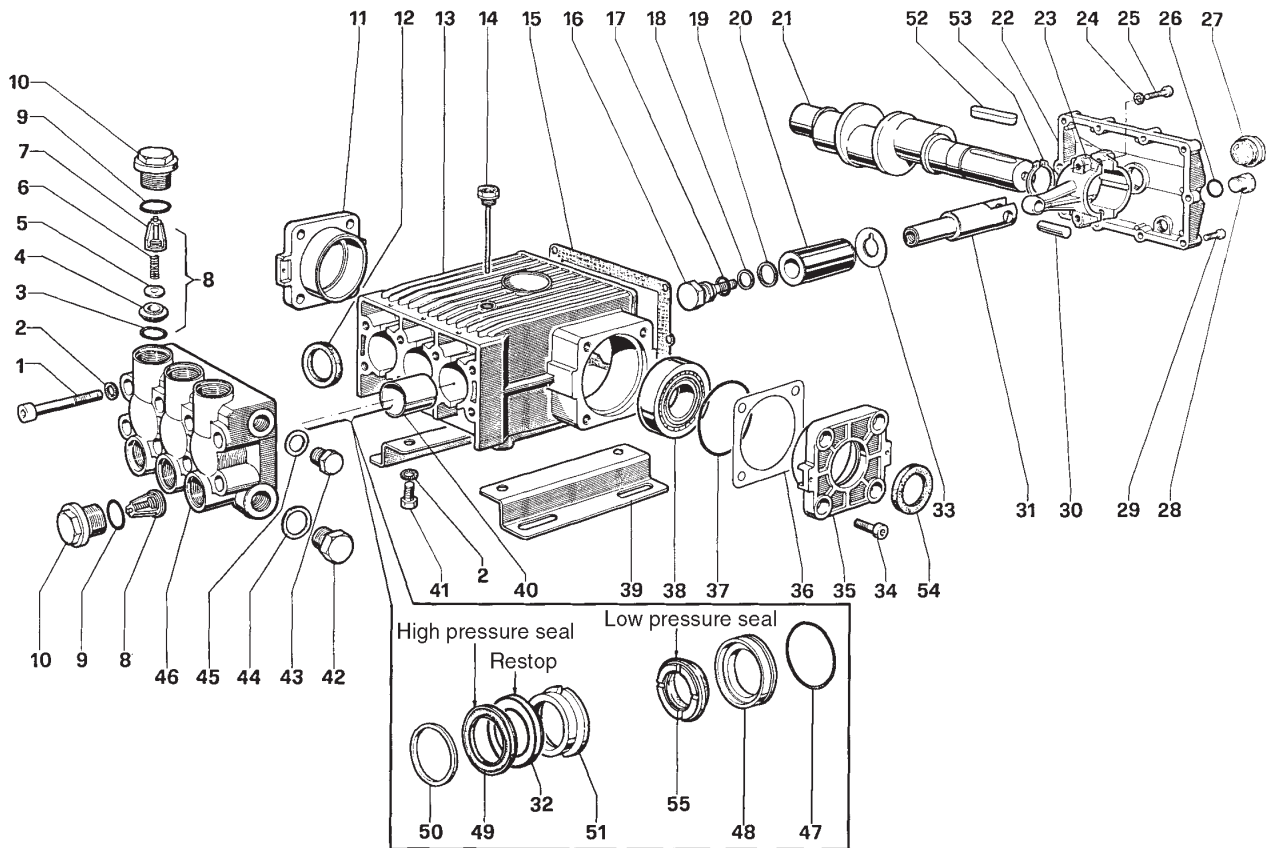


T Series 76 – 45 mm bore

GENERAL PUMP *A member of the Interpump Group*



PARTS LIST

ITEM PART NO.	DESCRIPTION	KIT NO.	QTY.	ITEM PART NO.	DESCRIPTION	KIT NO.	QTY.	ITEM PART NO.	DESCRIPTION	KIT NO.	QTY.
1	99.4418.00 Screw		8	19	96.7555.00 Washer	74	3	37	90.4141.00 O-Ring		2
2	96.7195.00 Washer		12	20	76.0402.09 Plunger		3	38	91.8474.00 Bearing		2
3	90.4059.00 O-Ring	43	6	21	76.0211.35 Crankshaft (T61)		1	39	76.2000.74 Pump Feet		2
4	36.2011.66 Valve Seat	43	6		76.0210.35 Crankshaft (T81)			40	90.9174.00 Bushing		3
5	36.2010.76 Valve Plate	43	6	22	76.1600.22 Cover		1	41	99.4266.00 Screw		4
6	94.7450.00 Spring	43	6	23	76.0303.01 Connecting Rod		3	42	98.2325.00 Cap		1
7	36.2009.51 Valve Guide	43	6	24	96.7104.00 Washer		6	43	98.2265.00 Cap		1
8	36.7065.01 Valve Assembly	43	6	25	99.3720.00 Screw		6	44	96.7870.00 Washer		1
9	90.4065.00 O-Ring		6	26	90.3833.00 O-Ring		2	45	96.7700.00 Washer		1
10	98.2420.00 Cap		6	27	97.5968.00 Oil Indicator		1	46	76.1200.41 Manifold		1
11	76.1501.22 Cover		1	28	98.2100.00 Cap		2	47	90.3903.00 O-Ring	47, 80	3
12	90.1670.00 Oil Seal	44	3	29	99.1897.00 Screw		10	48	76.0802.70 Packing Retainer	47, 80	3
13	76.0100.22 Crankcase		1	30	97.7400.00 Wrist Pin		3	49	90.2850.00 Packing	79, 80	3
14	98.2270.00 Dip Stick		1	31	77.0500.54 Plunger Guide		3	50	76.1002.93 Head Ring	48, 80	3
15	76.2119.84 Cover Gasket		1	32	90.2848.00 Restop Ring	79,80,81	3	51	76.2170.70 Intermed. Ring	80, 81	3
16	69.2195.66 Plunger Screw	74	3	33	96.7568.00 Washer		3	52	91.4978.00 Key		1
17	90.3841.00 O-Ring	74	3	34	99.3652.00 Screw		8	53	90.0695.00 Snap Ring		1
18	90.5107.00 Anti-Ext. Ring	74	3	35	76.1500.22 Cover		1	54	90.1672.00 Oil Seal	32	1
				36	76.2200.78 Shim		2	55	90.2855.00 Seal, Low Press., 45mm	79,80	3

REPAIR KITS

KIT NO.	32	43	44	47	48	74	79	80	81
ITEM NO.s INCLUDED IN KIT	54	3, 4, 5, 6, 7 (8)	12	47, 48	50	16, 17, 18, 19	32, 49, 55	32, 47, 48, 49, 50, 51, 55	32, 51
NUMBER OF ASSEMBLIES IN KIT	2	6	3	3	6	3	3	1	3
NUMBER OF CYLINDERS KIT WILL SERVICE	-	3	3	3	3	3	3	1	3

TORQUE SPECS*

Position	Ft.-lbs.
1	51.5
10	95.8
16	29.4
25	29.4
27	13.2
28	29.4
29	7.3
34	29.4
41	51.5
42	73.7
43	51.5